

rc_cube I Industrial PC

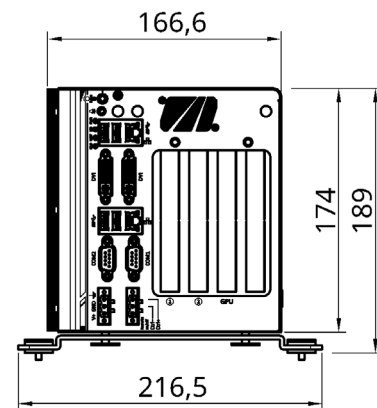
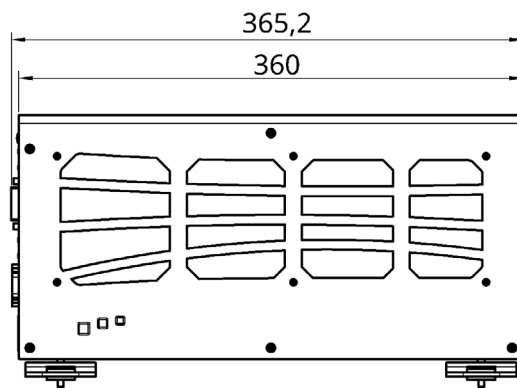
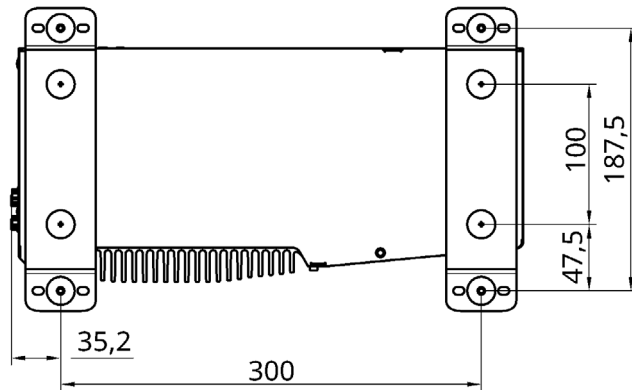
Technical Specifications

The rc_cube I is the industrial edge computer for your rc_visard or rc_viscore: it enhances the performance of the rc_reason modules and is especially useful for industrial applications requiring high-speed image processing and/or the use of multiple sensors. The rc_cube I has four Gigabit Ethernet ports for connecting up to four sensors and can be combined with any rc_visard. Please note that the rc_cube I does not come with a power supply. A separate 24 V/16 A power supply (e.g. DIN rail) is required. All components in the rc_cube I are UL listed.

System core		
Processor	Intel® Core™ i7-6700 (8M Cache, 3.4/4.0 GHz)	
Chipset	Intel® C236 Platform Controller Hub	
Graphics	PNY NVIDIA RTX A4000 16 GB	
Memory	INNO MEM SODIMM DDR4 3200Mhz 32 GB	
SSD	INNO SSD 2.5" 3TE7 3D TLC 256 GB INNO SSD 2.5" 3TE7 3D TLC 512 GB	
Power supply		
DC input	1x 3-pin pluggable terminal block for 24 V DC input	
Max. power consumption	384 W @ 24 V DC	
I/O interface		
Ethernet	1x Gigabit Ethernet port by Intel I219-LM 1x Gigabit Ethernet port by Intel I210-IT 4x Gigabit Ethernet port by Intel I350-T4	
Video Port	Display port on GPU	
USB	4x USB 3.0 ports 1x USB 2.0 port (internal daughterboard, used for Roboception dongle) *	
Environmental		
Temperature	Storage: -40° C ~ 85° C with 35 W CPU and NVIDIA RTX A4000 GPU: 0° C - 50° C	
Humidity	10% ~ 90% , non-condensing	
Vibration	Operating, 1.0 Grms, 5-500 Hz, 3 Axes (w/ GPU, fan, HDD and damping bracket installed, according to IEC60068-2-64)	
EMC	CE/FCC Class A, according to EN 55022 & EN 55024	
Mechanical		
Dimension	164 mm (W) x 360 mm (D) x 174 mm (H)	
Weight	5.6 kg	
Mounting	Damping bracket (Standard)	
* Contains license for Roboception software		



roboception



Packing List

Accessory box, which contains:	Quantity:
SATA HDD/ SSD bracket	1
Neuosys drivers & utilities DVD	2
Damping bracket for mobile deployment	2
Shock-absorbing grommet	8
3-pin power terminal block	2
Screw pack	1

Find more information on
doc.rc-cube.com

Inquiries via
sales@roboception.de



Roboception GmbH
 Kaflerstrasse 2
 81241 Munich
 Germany

www.roboception.com
 + 49 (0) 89 889 50 79 -0