

RandomDot Projector

The rc_randomdot is a specifically tailored projector that can be used as an enhancement to the rc_visard when the perception of particularly difficult scenes with little or no natural visual texture is required.

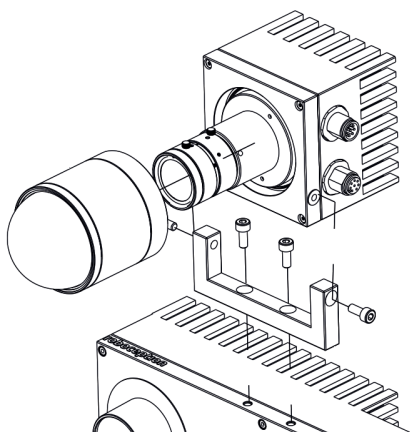
The rc_randomdot increases the scene density and hence improves the quality of stereo matching when the natural scene texture is low.



- Tailored white LED projector
- Projects random dot pattern
- Enhances depth measurements if scene texture is low
- Can be mounted over scene or directly on sensor
- Suitable for use with any rc_visard (monochrome, color)

Specifications

Illumination Mode	Strobe mode
Wavelength	White light
Power Supply	24V, min. 65W
Connectors	M12, 8 contacts
Weight	660g
Dimensions	70 mm (diameter) 152 mm (incl. lens)
Temperature Range	0°C - 45°C (passive cooling)
Protection Class	IP54
Y-Cable (included)	M12 8pin, A-coded, 30 cm sensor-projector cable
Lens (included)	12,5 mm c-mount lens
Projection Angle	62° horizontal, 48° vertical



Roboception GmbH

www.robception.com

Kaflerstr. 2
81241 Munich
Germany

ORDER: <https://robception.com/en/shop>
HOW TO: <https://tutorials.robception.com/>
CODE: <https://github.com/robception/>